

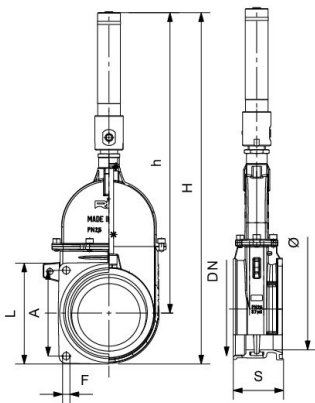


RIV 44

Piston gate valve flange/thread
with double-acting hydraulic jack
with O-ring gasket

Tech drawings and tables

DN	Code	Ø	H	h	S	L	F	A	PN	KG	P/box
4"	050044000016	91	514	449	79	180	13	150	3bar - 45psi	6,356	1
5"	050044000018	120	580	491	87	180	13	150	3bar - 45psi	7,839	1
6"	050044000019	143	615	526	88	180	13	150	2,5bar - 37psi	8,776	1

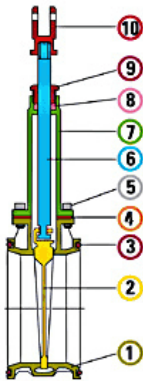


Advantages

Better tightness compared to other gate valves of the same type.
Anticorrosion stainless steel screws.
In accordance with 97/23/CE (PED) Directive.

Technical data

Art. 10



Materials

1	Body	Brass	CB754S
2	Wedge	Brass	CB754S
3	O-Ring	NBR	
4	Gasket	Fibre	
5	Screw	Stainless Steel	AISI 304
6	Stem	Brass	CW614N
7	Cap	Brass	CB754S
8	Tow packing	Fibre	
9	Stuffing-Box	Brass	CW614N
10	Fork	Brass	CW617N

Connections ISO 228/1, NPT, Square flange

Limit -20°C (without liquid) +90°C

Notes The max. working pressure (PN) means at a room temperature of about 23°C.